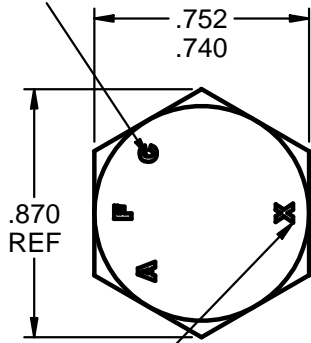
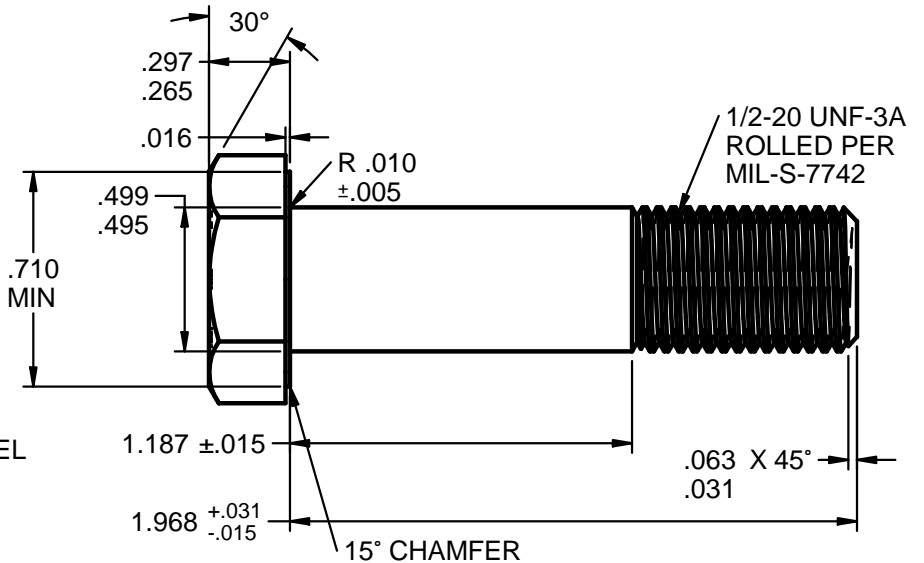


MANUFACTURERS
"AFC" LOGO
.025 MAX
RAISED OR INDENTED



"X" ALLOY STEEL
GRADE MARK



SCALE: 1.5X

DESIGN NOTES: AN8-17A AIRFRAME BOLT

1. LENGTH 1-31/32" (1.968"), GRIP 1-3/16" (1.187"), THREAD 1/2-20 UNF-3A.
2. PROCUREMENT SPECIFICATION NASM6812.
3. MATERIAL ALLOY STEEL PER PROCUREMENT SPECIFICATION.
UNS G40370 AMS6300 DFAR EXEMPT
UNS G87400 AMS6322 DFAR APPLIES
UNS G41400 AMS6382 DFAR APPLIES
UNS G41300 AMS-S-6758 DFAR APPLIES
4. HEAT TREAT AMS-2759 HRC 26-32.
5. FINISH CADMIUM PLATED PER AMS-QQ-P-416, TYPE 2 (YELLOW), CLASS 2.
6. THREADS 1/2-20 UNF-3A ROLLED PROCESS PER MIL-S-7742.
7. TENSILE 18,500 LBS. [82,292 N] MIN.
8. YIELD 14,190 LBS. [63,120 N] MIN.
9. SINGLE SHEAR 14,700 LBS. [65,388 N] MIN. SHORT LENGTH N/A.



ACTUAL SIZE

EXAMPLE PART NUMBER

AFC 8-17 C2 - CADMIUM TYPE 2 YELLOW PLATING
AFC 8-17 C1 - CADMIUM TYPE 1 PLAIN WHITE PLATING
AFC 8-17 TDC - THERMAL DIFFUSION COATED ASTM A1059

↑ FINISH
 ↑ LENGTH 1.968"
 ↑ BODY SIZE & THREAD 0.5-20 UNF-3A
 ↑ MANUFACTURER AIRFASCO

UNCONTROLLED

CONFORMS TO: NASM3 THRU NASM20
PART NUMBER: AN8-17A

DIMENSIONS ARE IN INCHES AND TOLERANCES ARE AS SHOWN BELOW. DIMENSIONAL TOLERANCES AND SYMBOLS PER ANSI Y14.5M-1982	PROPRIETARY PARTS SHOWN IN THIS DRAWING ARE THE SUBJECT OF ISSUED UNITED STATES AND FOREIGN PATENTS AND PATENTS PENDING. UNAUTHORIZED REPRODUCTION AND/OR DISTRIBUTION OF THIS DRAWING IS STRICTLY PROHIBITED.		AIRFASCO.com 2655 HARRISON AVE SW, CANTON, OHIO 44706 USA	
	APPROVALS DRAWN M.B. DATE 6/5/2014 CHECKED T.W. DATE 6/5/2014 ENG APPR B.E. DATE 6/5/2014 MGR APPR D.D. DATE 6/5/2014		PART NUMBER: AN8-17A_AFC8-17C2	REV
ANGLES ±5° .XX ±.03" .XXX ±.010" .XXXX ±.001"	SIZE A MATERIAL: 4037 / 8740 OR AS NOTED		EST. WEIGHT: .139 / EACH LBS. [63.4 g]	
SCALE: 1.5X		DRAWING NUMBER: AN8-17A_AFC8-17C2		SHEET 1 OF 1